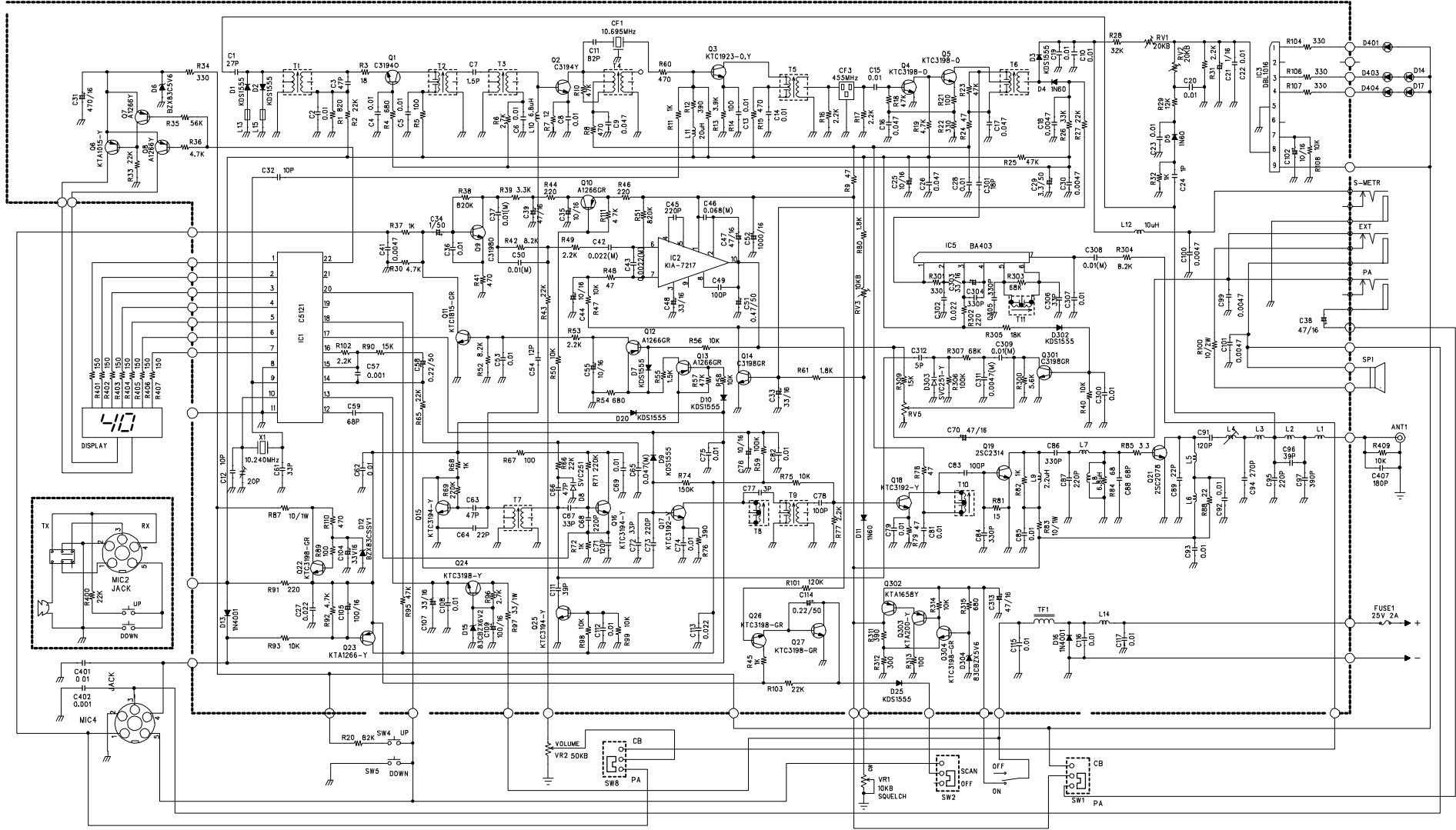


SCHEMATIC DIAGRAM



REV.	DATE	NAME	DESCRIPTION	CHECK
UNI	SCALS	SHEET	BUYER NAME :	EURO-CB
DRW.	CHK.	APP.	MODEL NAME :	EUROMINI
1995.5.10			DRAWING NO. :	95/5/15
K.A.JUNG				